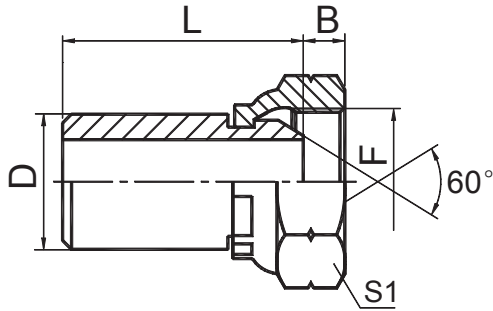


过渡接头 ADAPTER



2WB

焊接管 / 英管内螺纹 60° 外锥
 BUTT-WELD TUBE / BSP FEMALE 60° CONE

代号 PART NO.	螺纹 THREAD		管子直径 TUBE O.D.	尺寸 DIMENSIONS				
		F		B	D	L	S1	
2WB-10-04		G1/4"X19	10	5.5	10	35	19	
2WB-14-06		G3/8"X19	14	6.3	14	40	22	
2WB-18-08		G1/2"X14	18	7.5	18	50	27	
2WB-22-08		G1/2"X14	22	7.5	22	50	27	
2WB-22-12		G3/4"X14	22	10.9	22	62	32	
2WB-28-16		G1"X11	28	11.7	28	65	41	
2WB-34-20		G1.1/4"X11	34	11	34	68	50	
2WB-42-20		G1.1/4"X11	42	11	42	59.5	50	
2WB-50-24		G1.1/2"X11	50	13	50	57.5	55	